

# Market Bag

Designed by Theresa Romeo



Finished Size: 16" x 14"

## Materials:

International Harvester Tractors	#62644-Z	1 Yd. Bag
International Harvester Tractor Toss	#62645-G	1 Yd. Lining
Interfacing		1 Yd.
1" Strapping		3 Yds.

## Cut:

(All measurements length x width and includes 1/2" seam allowance.)

2 - 17 1/2" x 15" Tractors - Bag, Tractor Toss - Lining, Fusible Interfacing

2 - 8" x 24 1/2" Tractors – Bag Lining, Tractor Toss – Gusset Lining, Fusible Interfacing

## Instructions:

1. Iron the interfacing to the wrong side of the bag pieces, following the manufacturer's directions.

### Illustration 1

2. Measure  $3\frac{3}{4}$ " in from each side of the bag front and draw a line with a disappearing ink pen from the bottom of the bag to  $1\frac{1}{2}$ " from the top. Cut the strapping into two equal pieces. Stitch one piece to this line on both edges of the strapping. Stitch a square X at the top to securely hold the strap. Repeat with the back of the bag and the second piece of strapping.

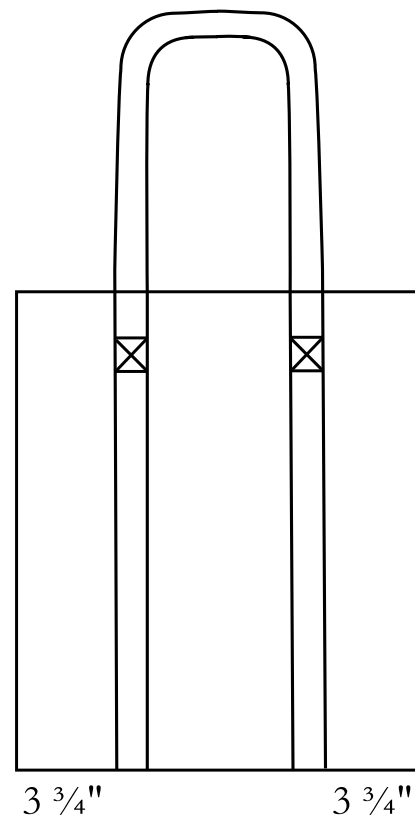
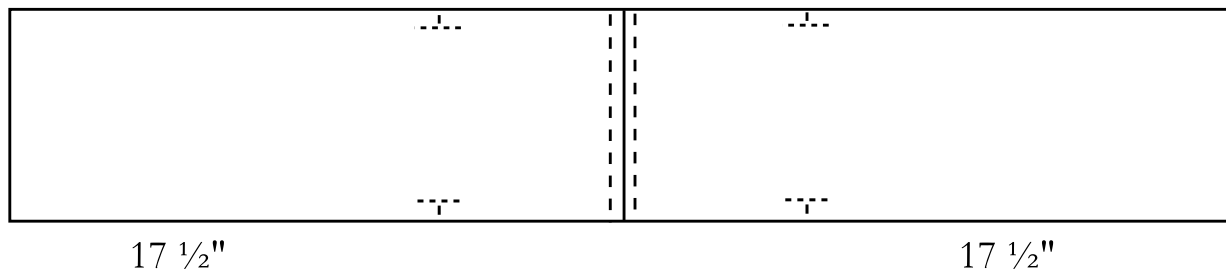


Illustration 1

### Illustration 2

3. Stitch the gusset sections together along the short side to form one gusset for the sides and bottom of the bag. Press the seam open and top stitch on each side of the seam for support. Mark gusset  $17\frac{1}{2}$ " from top edge on both long sides. Stitch  $\frac{1}{2}$ " in to reinforce and clip or notch to stitches. Do not cut through stitches.

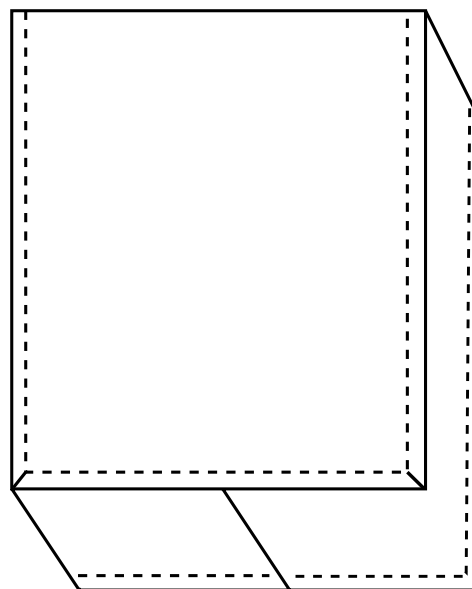
### Illustration 2



### Illustration 3

4. Mark the center of the bottom of the bag front and back pieces. With right sides together pin the front of the bag to one side of the gusset, lining the center of the bag with the center seam of the gusset. Starting at the top of the bag, stitch down one side, pivot at the notch and stitch across the bottom. Pivot again at the notch and then up to the top of the bag. Repeat with the bag back.

### Illustration 3



#### Illustration 4

5. Repeat steps # 3 and 4 with the lining leaving a 5" opening in the bottom edge of one side for turning.
6. To attach the lining to the bag, slip the bag inside the lining having the right sides together. Line up the top raw edges and stitch around being careful not to catch the strapping in the seams.

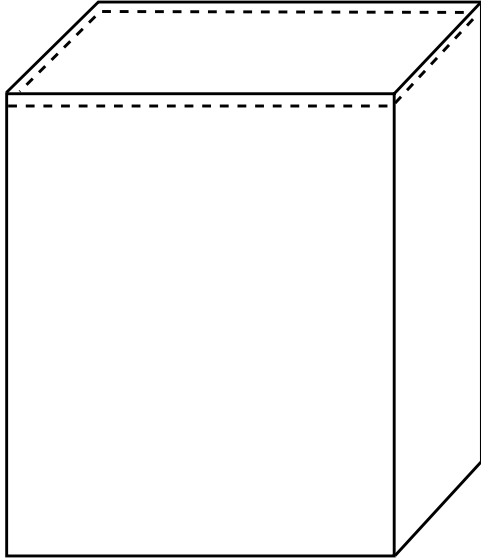


Illustration 4

#### Illustration 5

7. Turn the bag right side out and press. Hand stitch the opening closed.
8. Top stitch  $\frac{1}{4}$ " around top edge of bag. Fold side edges of bag along seams, press and topstitch  $\frac{1}{4}$ " from seams. Fold the bottom edge of bag on seams and press. Top stitch around lower edge of bag.

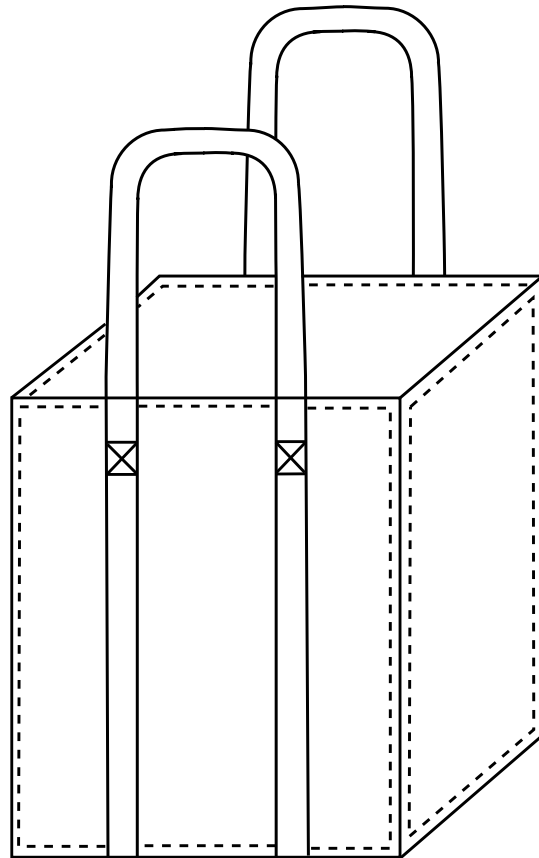


Illustration 5

While all possible care has been taken to ensure the accuracy of this pattern, we are not responsible for printing errors or the way in which individual work varies.