



## Chair Cushion

Read all instructions carefully. 1/2" seam allowance included in all measurements.

Finished size: 16" x 18"

### Materials Needed:

Mary's Mottos Allover

Print Fabric VIP #61117-J 1 1/4 Yds

Mary's Mottos Black/White

Check Fabric VIP #61116P-J 3/4 Yd

Polyester Fleece 1/2 Yd

1. Cut 2 pieces from the allover print 17" X 19".
2. Mark 1" in on the bottom of the pieces. Draw a line from this mark to the top corresponding corners. Lay a coffee mug at the top corners and trace around the curve on the corners to round them. Cut on these lines. **Illustration 1**
3. Cut 4 ties 26" X 4" from the remaining allover print.
4. Press long edges 1/2" for a 1/4" finished hem. Stitch close to inner pressed edge. **Illustration 2**
5. With right sides together stitch 1 short end closed on each tie. Turn right side out and press seam to back to form point. Make a pleat at the opposite end. **Illustration 3**
6. Baste the ties to the right side of the cushion top 1 1/2" from the bottom corners. **Illustration 4**
7. Cut 3 strips from check fabric 38" X 9." Sew 3 ruffle strips together at the short ends to make one long strip.
8. Press 1 long edge and 2 short edges as in step 4 and stitch closed to inner pressed edge.
9. Gather the raw edge to fit the cushion top. The seams on the ruffle should fall at the curves of the cushion front. Pin the ruffle in place on the cushions right side and stitch it to the cushion.
10. With right sides together pin the front to the back being careful not to catch the ruffle in the seam. Pin this on top of 2 pieces of fleece and cut the fleece to fit. Stitch all around the edges leaving about 4" for turning.
11. Turn and press. Hand sew the opening closed.

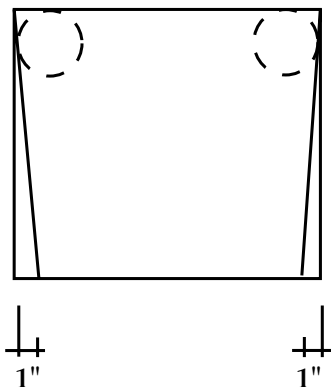


ILLUSTRATION 1

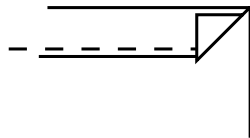


ILLUSTRATION 2



ILLUSTRATION 3

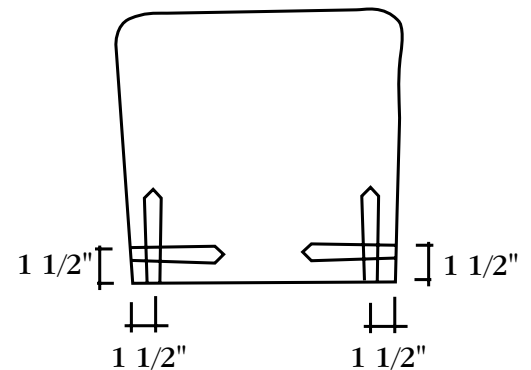


ILLUSTRATION 4